

## Features & Benefits

- High energy density
- Long, stable power and long run time
- Ideal for portable communications, portable computing, DSC and Camcorder.

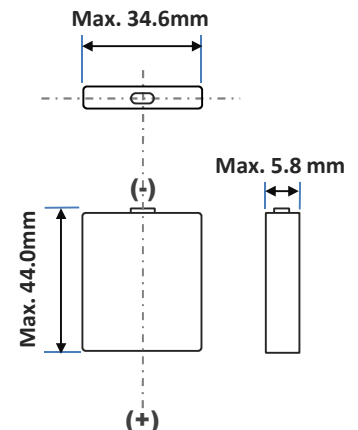
\* At temperatures below 10°C, charge at a 0.35C rate.

## Specifications

Rated capacity <sup>(1)</sup>	Min. 1130mAh
Capacity <sup>(2)</sup>	Min. 1150mAh Typ. 1190mAh
Nominal voltage	3.6V
Charging	CC-CV, Std. 805mA, 4.20V, 4.0 hrs
Weight (max.)	19.9 g
Temperature	Charge*: 0 to +45°C Discharge: -20 to +60°C Storage: -20 to +50°C
Energy density	Volumetric: 461 Wh/l Gravimetric: 204 Wh/kg

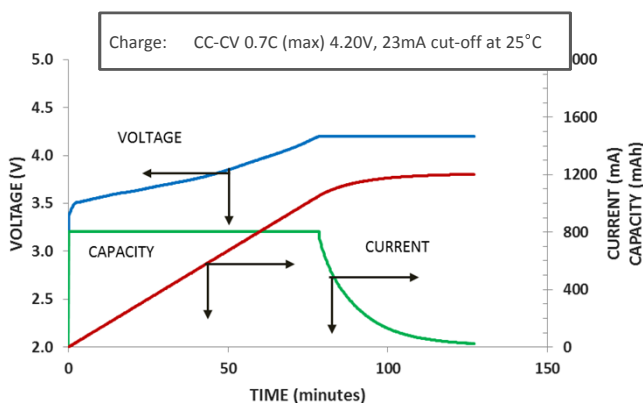
<sup>(1)</sup> At 20°C <sup>(2)</sup> At 25°C

## Dimensions

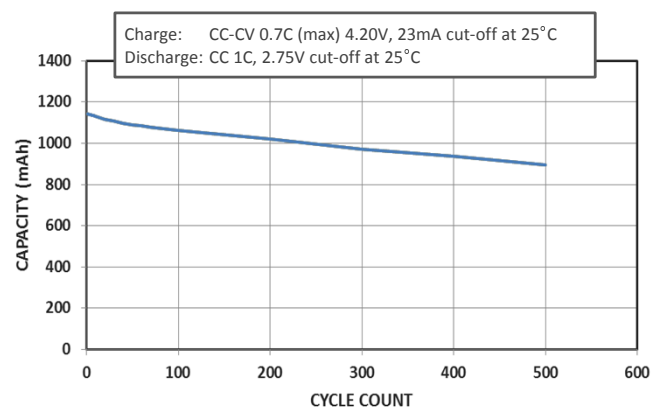


For Reference Only

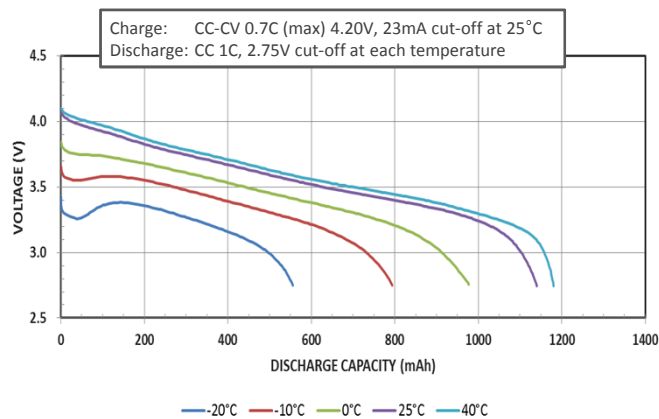
## Charge Characteristics



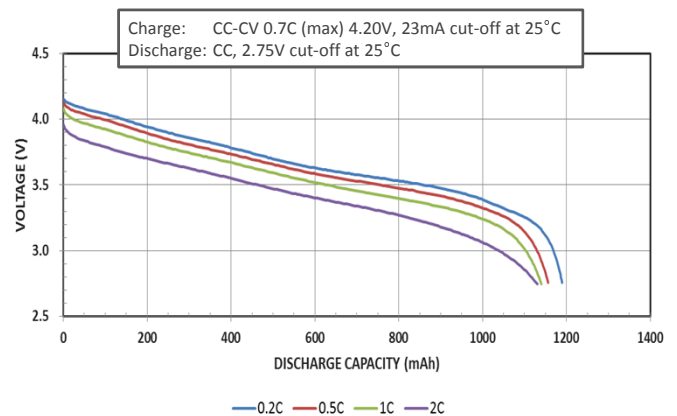
## Cycle Life Characteristics



## Discharge Characteristics (by temperature)



## Discharge Characteristics (by rate of discharge)



The data in this document is for descriptive purposes only and is not intended to make or imply any guarantee or warranty.